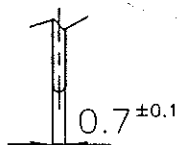
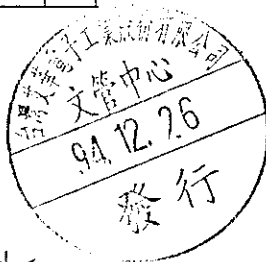
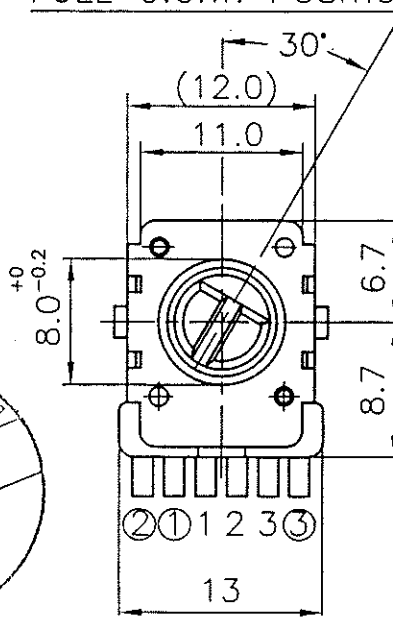
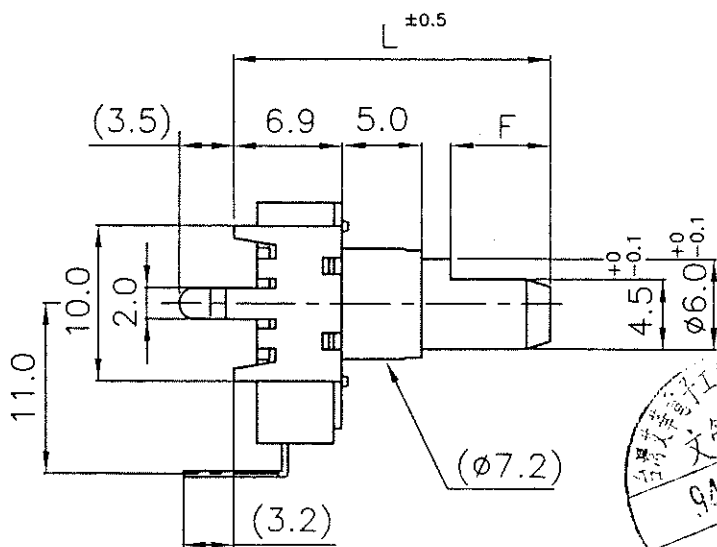
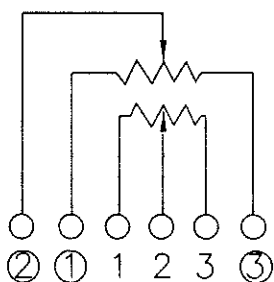


SHAFT SHOWN IN FULL C.C.W. POSITION



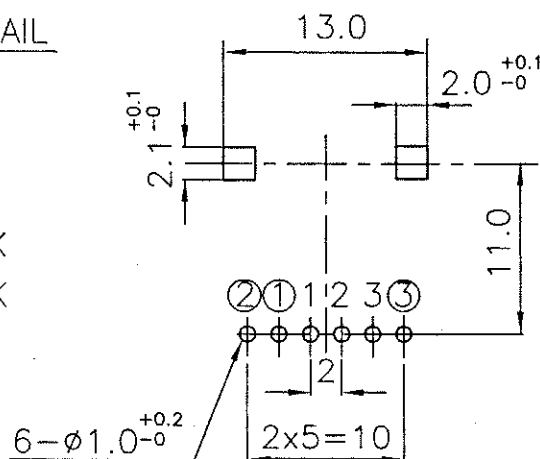
TERMINAL DETAIL



R1: 1 2 3
R2: ① ② ③

R1:A10K
R2:C10K

	375A	37.5	12
	325A	32.5	12
✓	30A	30	12
	275A	27.5	12
	25A	25	12
	25A	25	7
	225A	22.5	7
	20A	20	7
NOTE	A	L	F



P.C.B. MOUNTING HOLE DETAIL

-0068

2005.12.23

RV112BCF-40-(L)A-XXX-0C

NO.	DATE	DESCRIPTION	MODEL NAME			
TOL. UNLESS OTHERWISE STATED	DIMENSION	SCALE	DRAWN BY	CHECKED BY	APPROVED BY	DRAWING NO.
less than 10	±0.3	2:1	張月琴	張月琴	張月琴	
above 10 ~ 30	±0.5					
above 30 ~ 100	±1.0					
above	±1.5					