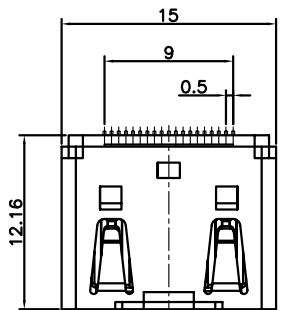
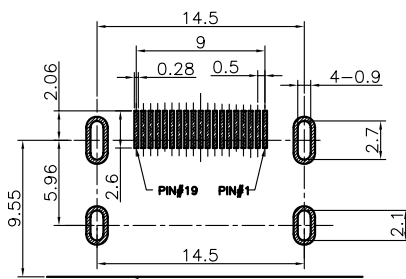
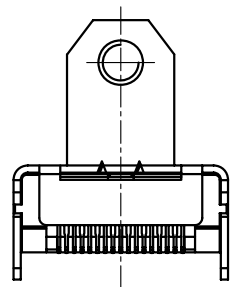
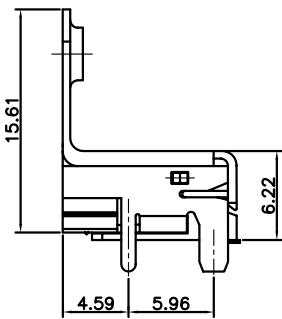
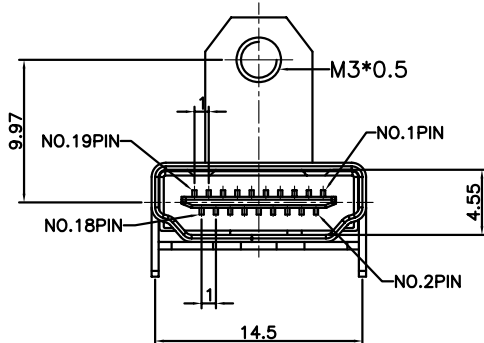


REV.	DESCRIPTION	DRAWN	CHECKED	APPROVED
A	NEW RELEASE	HP 18/07/05		



NOTES:

- MATERIALS
 - Insulator: thermoplastic, UL 94V-0 Rated
 - Contacts: Copper Alloy
 - Shell: Copper Alloy
- SPECIFICATION
 - Contact resistance: 50mΩ max.
 - Insulation resistance: 100MΩ min.
 - Dielectric withstanding voltage: 100 VAC 1 minute.
 - Temperature range: -20°C to +70°C.



PCB EDGE

RECOMMEND P.C.B LAYORT(T=1.6±0.1)
Tolerance±0.05

GENERAL TOLERANCE		ANGLE TOLERANCE		PROJECTION		TITLE	HDMI Female 19PIN SMT WITH FLANGE	
X.	±0.60	X.	±5°	UNITS	mm	SHEET SIZE	A4	SERIES DS1115
.X	±0.38	.X	±3°	<h1>HDMI7006</h1>				
.XX	±0.25	.XX	±2°					
DRAWING TYPE		CUSTOMER						
SCALE		1:1	SHEET 1 OF 1					
DRAWING NO.								