

AH3144 Datasheet

High sensitivity Unipolar Hall sensor

- ..
- . DC ~100KHz
- .
- . TTL MOS

	VC	24	V
	CB		mT
	Vc	40	V
	IOe	25	mA
	AH3144L	TLA	-40 ~150
	AH3144E	TA	-20 ~85
		TS	150

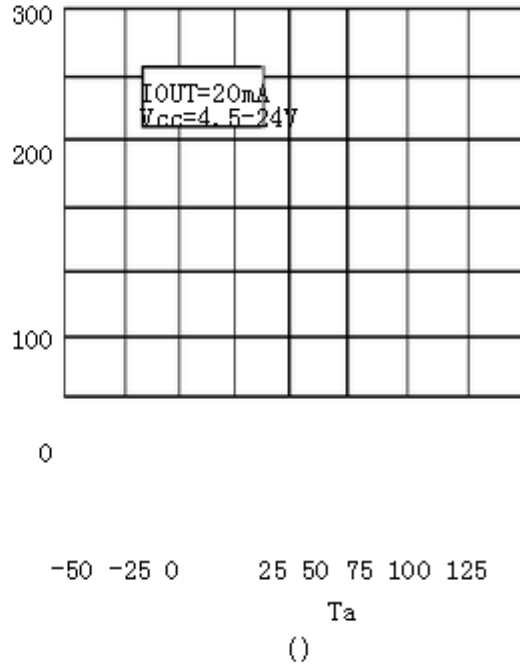
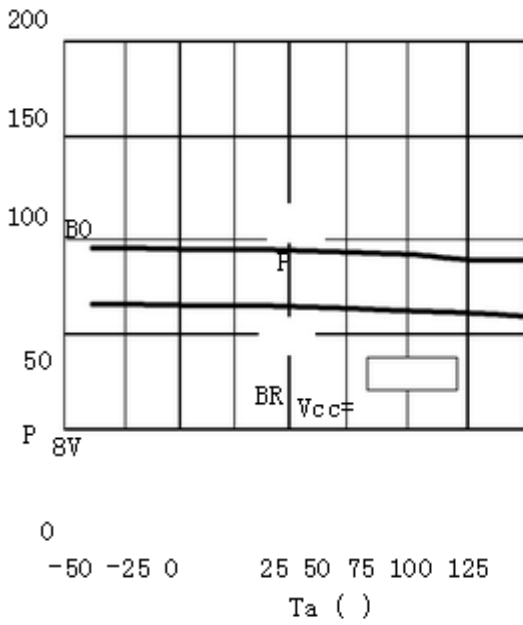
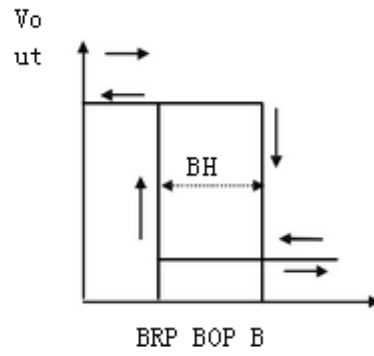
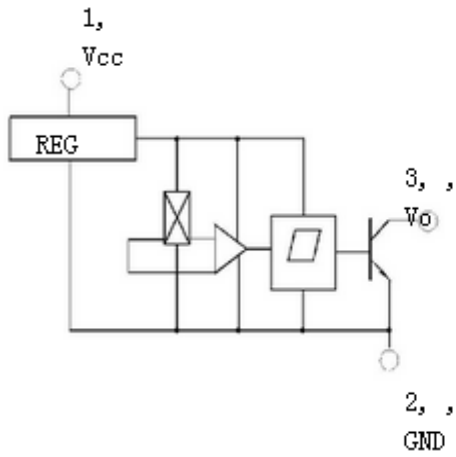
TA=25

	VCC		4.5	- 24 V	
	VOL Iout=15mA B>BOP		--	200 400 mV	
	IO Vout=24V B<BRP		--	0.1 10	A
	IHC VCC=24V		--	- 10 mA	
	Ctr RL=820 CL=20PF		--	0.12 -	S
	tf RL=820 CL=20PF		-	0.18 -	S

VCC=4.5 24V 1mT=10Gs

	BO -		-	11 mT
	BPR 2.0		-	- mT
	BPH 1.0-		4.0	- mT





(mm) TO-92UA

