

ILA1238NS

FM/AM STEREO RADIORECEIVER

DESCRIPTION

ILA1238NS is a high performance one - chip bipolar ICS designed for FM/AM stereo radios. These include an FM/AM front end, FM/AM IF amplifier, FM/AM detection output and FM stereo demodulator output. Bipolar silicon monolithic IC.

FEATURES

- Low current consumption
(In FM mode $I_D = 11.0$ mA, in AM mode 8.5 mA, $V_{CC} = 6.0V$).
- Built - in LED drive circuit for tuning.
- Built - in LED drive circuit for stereo indicator.
- Built - in detune muting circuit for the FM band.
- Few external parts.

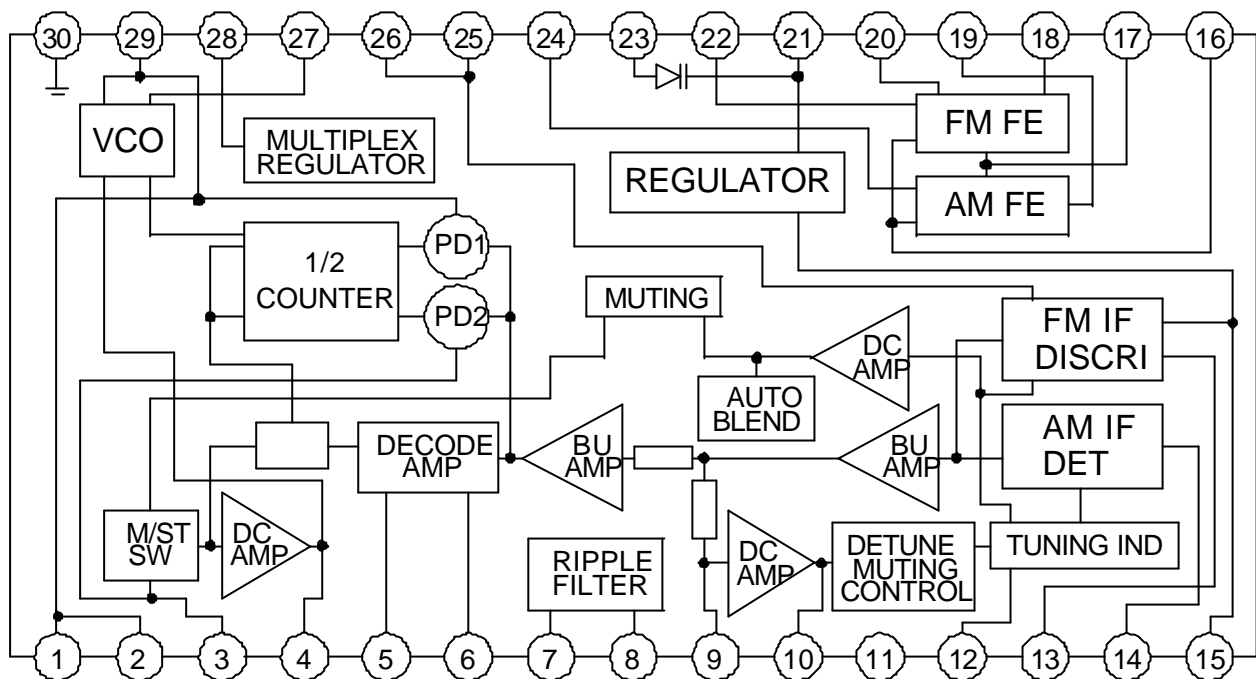
ELECTRICAL CHARACTERISTICS ($T_A = 25^\circ C$)

Symbol	Parameter	Test Conditions	Guaranteed Limits			Unit
			Min	Typ	Max	
$I_{D1/D2}$	AM/FM circuit current	No signal AM/FM		8.5/11	12.0/ 15.0	mA
G_{V1}	FM front end voltage gain	$V_{IN1} = 40dBmV, 100MHz$	28	35	42	dB
$V_{D1/D3}$	FM/AM detection output level		35	77.5	138	V_{RMS}
V_{D2}	FM IF knee level			25	31	dBmV
$T_{HD1/HD2}$	FM/AM detection output distortion factor			0.3/0.6	2.0	%
G_{V2}	AM front end voltage gain	$V_{IN2} = 60dBmV, 1660kHz$	19	24	28	dB
G_{V3}	AM IF voltage gain		15	21	29	dB
SEP	Separation		30	40		dB
V_{I1}	M/ST switching level by IF input		38	43	48	dBmV
A_1	FM Mute	$V_{in5}=245mV_{rms},$ MONO,1kHz ATT	16	23	30	dB

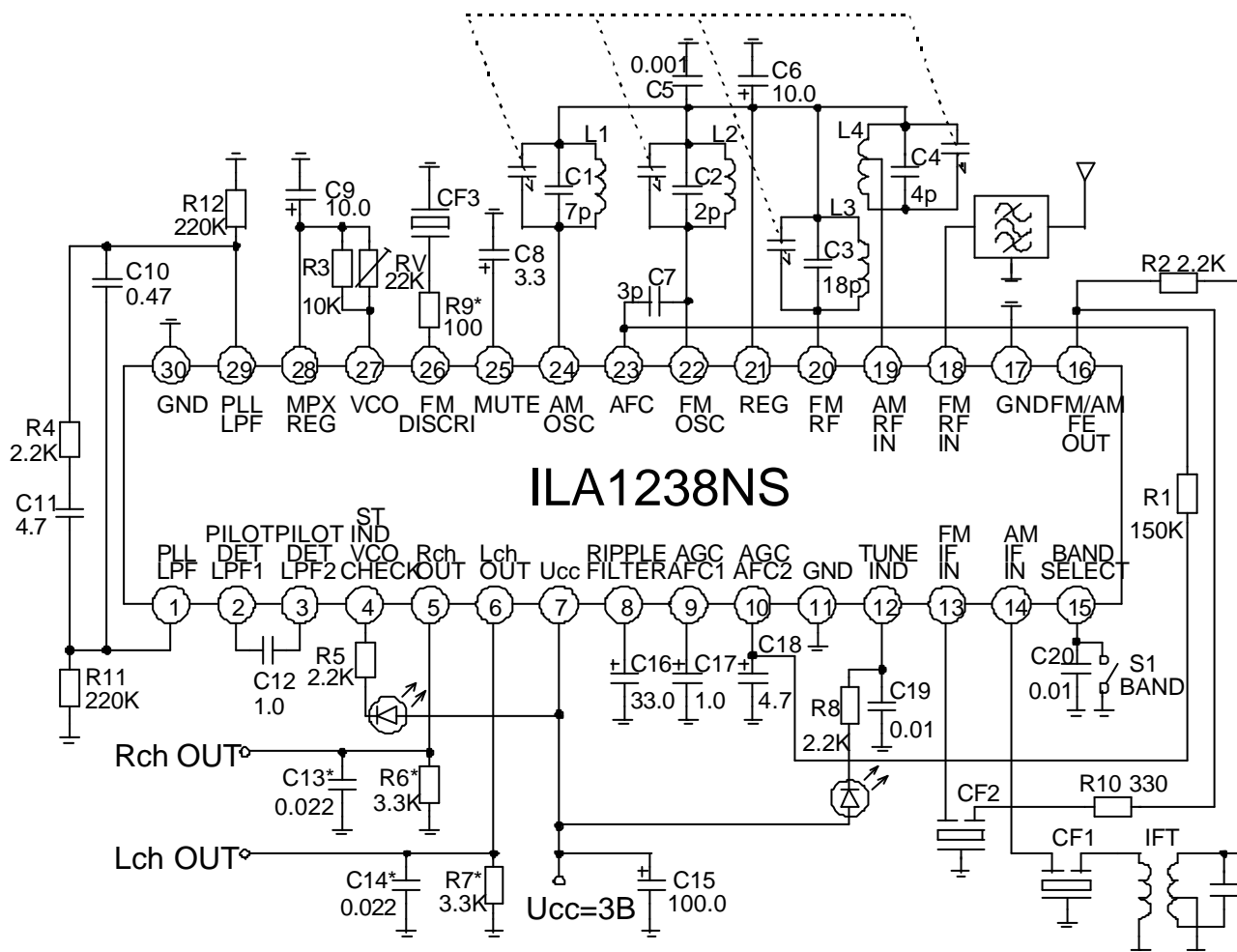


ILA1238NS

BLOCK-SCHEME



APPLICATION CIRCUIT



Korzhenevsky 12, Minsk, 220064, Republic of Belarus
 Fax: +375 (17) 278 28 22,
 Phone: +375 (17) 278 07 11, 277 24 70, 277 24 61,
 277 69 16
 E-mail: belms@belms.belpak.minsk.by
 URL: www.bms.by

BELMICROSYSTEMS