

# UTCLM78XX LINEAR INTEGRATED CIRCUIT

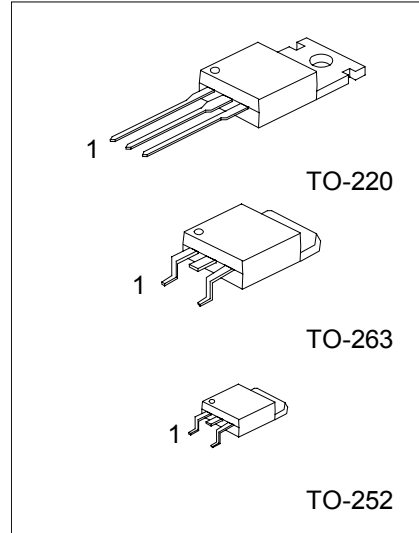
## 3-TERMINAL 1A POSITIVE VOLTAGE REGULATOR

### DESCRIPTION

The UTC 78XX family is monolithic fixed voltage regulator integrated circuit. They are suitable for applications that required supply current up to 1 A.

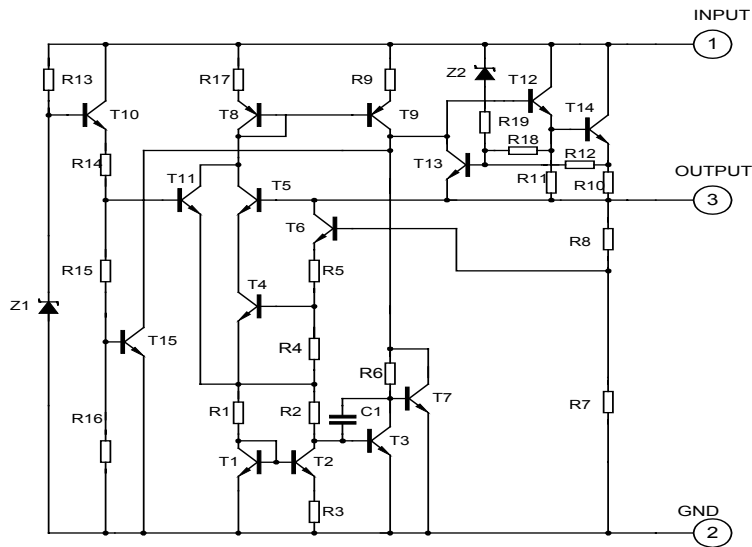
### FEATURES

- \*Output current up to 1.5 A
- \*Fixed output voltage of 5V, 6V, 8V, 9V, 10V, 12V, 15V, 18V and 24V available
- \*Thermal overload shutdown protection
- \*Short circuit current limiting
- \*Output transistor SOA protection



1: Input 2: GND 3: Output

### TEST CIRCUIT



# UTC LM78XX LINEAR INTEGRATED CIRCUIT

## ABSOLUTE MAXIMUM RATINGS

( Operating temperature range applies unless otherwise specified )

PARAMETER	SYMBOL	RATING	UNIT
Input voltage(for Vo=5~18V) (for Vo=24V)	Vi	35	V
		40	V
Output Current	Io	1	A
Power Dissipation	PD	Internally Limited	W
Operating Junction Temperature Range	TOPR	-20 +150	°C
Storage Temperature Range	TSTG	-55 +150	°C

## UTC LM7805 ELECTRICAL CHARACTERISTICS

( Vi=10V, Io=0.5A, Tj= 0°C - 125°C, C1=0.33uF, Co=0.1uF, unless otherwise specified )(Note 1)

PARAMETER	SYMBOL	TEST CONDITIONS	MIN	TYP	MAX	UNIT
Output Voltage	Vo	Tj=25°C, Io=5mA - 1.0A	4.80	5.0	5.20	V
		Vi =7.5V to 20V, Io=5mA - 1.0A,PD<15W	4.75		5.25	V
Load Regulation	ΔVo	Tj=25°C,Io=5mA - 1.5A			50	mV
		Tj=25°C,Io=0.25A - 0.75A			25	mV
Line regulation	ΔVo	Vi =7V to 25V,Tj=25°C			50	mV
		Vi =7.5V to 20V,Tj=25°C,Io=1A			50	mV
Quiescent Current	Iq	Tj=25°C, Io=<1A			8.0	mA
Quiescent Current Change	ΔIq	Vi =7.5V to 20V			1.0	mA
	ΔIq	Io=5mA - 1.0A			0.5	mA
Output Noise Voltage	VN	10Hz<=f<=100kHz		40		μV
Temperature coefficient of Vo	ΔVo/ΔT	Io=5mA		-0.6		mV/°C
Ripple Rejection	RR	Vi =8V - 18V,f=120Hz,Tj=25°C	62	80		dB
Peak Output Current	IPK	Tj=25°C		1.8		A
Short-Circuit Current	Isc	Vi=35V, Tj=25°C		250		mA
Dropout Voltage	Vd	Tj=25°C		2.0		V

## UTC LM7806 ELECTRICAL CHARACTERISTICS

( Vi=11V, Io=0.5A, Tj= 0°C - 125°C, C1=0.33uF, Co=0.1uF, unless otherwise specified )(Note 1)

PARAMETER	SYMBOL	TEST CONDITIONS	MIN	TYP	MAX	UNIT
Output Voltage	Vo	Tj=25°C, Io=5mA - 1.0A	5.76	6.0	6.24	V
		Vi =8.5V to 21V, Io=5mA - 1.0A, PD<15W	5.70		6.30	V
Load Regulation	ΔVo	Tj=25°C,Io=5mA - 1.5A			60	mV
		Tj=25°C,Io=0.25A - 0.75A			30	mV
Line regulation	ΔVo	Vi =8V to 25V,Tj=25°C			60	mV
		Vi =8.5V to 21V,Tj=25°C,Io=1A			60	mV
Quiescent Current	Iq	Tj=25°C, Io=<1A			8.0	mA
Quiescent Current Change	ΔIq	Vi =8.5V to 21V			1.0	mA
	ΔIq	Io=5mA - 1.0A			0.5	mA
Output Noise Voltage	VN	10Hz<=f<=100kHz		45		μV
Temperature coefficient of Vo	ΔVo/ΔT	Io=5mA		-0.7		mV/°C
Ripple Rejection	RR	Vi =9V - 19V,f=120Hz,Tj=25°C	59	75		dB

# UTC LM78XX LINEAR INTEGRATED CIRCUIT

PARAMETER	SYMBOL	TEST CONDITIONS	MIN	TYP	MAX	UNIT
Peak Output Current	IPK	Tj=25°C		1.8		A
Short-Circuit Current	Isc	VI=35V, Tj=25°C		250		mA
Dropout Voltage	Vd	Tj=25°C		2.0		V

## UTC LM7808 ELECTRICAL CHARACTERISTICS

(VI=14V, Io=0.5A, Tj= 0°C - 125°C, C1=0.33uF, Co=0.1uF, unless otherwise specified )(Note 1)

PARAMETER	SYMBOL	TEST CONDITIONS	MIN	TYP	MAX	UNIT
Output Voltage	Vo	Tj=25°C, Io=5mA - 1.0A	7.68	8.0	8.32	V
		Vi =10.5V to 23V, Io=5mA - 1.0A, PD<15W	7.60		8.40	V
Load Regulation	ΔVo	Tj=25°C, Io=5mA - 1.5A			80	mV
		Tj=25°C, Io=0.25A - 0.75A			40	mV
Line regulation	ΔVo	Vi =10.5V to 25V, Tj=25°C			80	mV
		Vi =10.5V to 23V, Tj=25°C, Io=1A			80	mV
Quiescent Current	Iq	Tj=25°C, Io<1A			8.0	mA
Quiescent Current Change	ΔIq	Vi =10.5V to 23V			1.0	mA
	ΔIq	Io=5mA - 1.0A			0.5	mA
Output Noise Voltage	VN	10Hz<=f<=100kHz		58		μV
Temperature coefficient of Vo	ΔVo/ΔT	Io=5mA		-0.9		mV/°C
Ripple Rejection	RR	Vi =11.5V to 21.5V, f=120Hz, Tj=25°C	56	72		dB
Peak Output Current	IPK	Tj=25°C		1.8		A
Short-Circuit Current	Isc	VI=35V, Tj=25°C		250		mA
Dropout Voltage	Vd	Tj=25°C		2.0		V

## UTC LM7809 ELECTRICAL CHARACTERISTICS

(VI=15V, Io=0.5A, Tj= 0°C - 125°C, C1=0.33uF, Co=0.1uF, unless otherwise specified )(Note 1)

PARAMETER	SYMBOL	TEST CONDITIONS	MIN	TYP	MAX	UNIT
Output Voltage	Vo	Tj=25°C, Io=5mA - 1.0A	8.64	9.0	9.36	V
		Vi =11.5V to 24V, Io=5mA - 1.0A, PD<15W	8.55		9.45	V
Load Regulation	ΔVo	Tj=25°C, Io=5mA - 1.5A			90	mV
		Tj=25°C, Io=0.25A - 0.75A			45	mV
Line regulation	ΔVo	Vi =11.5V to 25 V, Tj=25°C, PD<15W			90	mV
		Vi =11.5V to 24V, Tj=25°C, Io<=1A			90	mV
Quiescent Current	Iq	Tj=25°C, Io<1A			8.0	mA
Quiescent Current Change	ΔIq	Vi =11.5V to 24V			1.0	mA
	ΔIq	Io=5mA - 1.0A			0.5	mA
Output Noise Voltage	VN	10Hz<=f<=100kHz		58		μV
Temperature coefficient of Vo	ΔVo/ΔT	Io=5mA		-1.1		mV/°C
Ripple Rejection	RR	Vi =12.5V to 22.5V, f=120Hz, Tj=25°C	56	72		dB
Peak Output Current	IPK	Tj=25°C		1.8		A
Short-Circuit Current	Isc	VI=35V, Tj=25°C		250		mA
Dropout Voltage	Vd	Tj=25°C		2.0		V

# UTC LM78XX LINEAR INTEGRATED CIRCUIT

## UTC LM7810 ELECTRICAL CHARACTERISTICS

( $V_I=16V$ ,  $I_o=0.5A$ ,  $T_j=0^\circ C - 125^\circ C$ ,  $C_1=0.33\mu F$ ,  $C_o=0.1\mu F$ , unless otherwise specified)(Note 1)

PARAMETER	SYMBOL	TEST CONDITIONS	MIN	TYP	MAX	UNIT
Output Voltage	$V_o$	$T_j=25^\circ C$ , $I_o=5mA - 1.0A$	9.60	10.0	10.40	V
		$V_I=12.5V$ to $25V$ , $I_o=5mA - 1.0A$ , $PD \leq 15W$	9.50		10.50	V
Load Regulation	$\Delta V_o$	$T_j=25^\circ C$ , $I_o=5mA - 1.5A$			100	mV
		$T_j=25^\circ C$ , $I_o=0.25A - 0.75A$			50	mV
Line regulation	$\Delta V_o$	$V_I=13V$ to $25V$ , $T_j=25^\circ C$			100	mV
		$V_I=13V$ to $25V$ , $T_j=25^\circ C$ , $I_o \leq 1A$			100	mV
Quiescent Current	$I_q$	$T_j=25^\circ C$ , $I_o < 1A$			8.0	mA
Quiescent Current Change	$\Delta I_q$	$V_I=12.6V$ to $25V$			1.0	mA
	$\Delta I_q$	$I_o=5mA - 1.0A$			0.5	mA
Output Noise Voltage	$V_N$	$10Hz \leq f \leq 100kHz$		58		$\mu V$
Temperature coefficient of $V_o$	$\Delta V_o/\Delta T$	$I_o=5mA$		-1.1		$mV/^\circ C$
Ripple Rejection	RR	$V_I=13V - 23V$ , $f=120Hz$ , $T_j=25^\circ C$	56	72		dB
Peak Output Current	$I_{PK}$	$T_j=25^\circ C$		1.8		A
Short-Circuit Current	$I_{SC}$	$V_I=35V$ , $T_j=25^\circ C$		250		mA
Dropout Voltage	$V_d$	$T_j=25^\circ C$		2.0		V

## UTC LM7812 ELECTRICAL CHARACTERISTICS

( $V_I=19V$ ,  $I_o=0.5A$ ,  $T_j=0^\circ C - 125^\circ C$ ,  $C_1=0.33\mu F$ ,  $C_o=0.1\mu F$ , unless otherwise specified)(Note 1)

PARAMETER	SYMBOL	TEST CONDITIONS	MIN	TYP	MAX	UNIT
Output Voltage	$V_o$	$T_j=25^\circ C$ , $I_o=5mA - 1.0A$	11.52	12.0	12.48	V
		$V_I=14.5V$ to $27V$ , $I_o=5mA - 1.0A$ , $PD \leq 15W$	11.40		12.60	V
Load Regulation	$\Delta V_o$	$T_j=25^\circ C$ , $I_o=5mA - 1.5A$			120	mV
		$T_j=25^\circ C$ , $I_o=0.25A - 0.75A$			60	mV
Line regulation	$\Delta V_o$	$V_I=14.5V$ to $30V$ , $T_j=25^\circ C$			120	mV
		$V_I=14.6V$ to $27V$ , $T_j=25^\circ C$ , $I_o=1A$			120	mV
Quiescent Current	$I_q$	$T_j=25^\circ C$ , $I_o < 1A$			8.0	mA
Quiescent Current Change	$\Delta I_q$	$V_I=14.5V$ to $30V$			1.0	mA
	$\Delta I_q$	$I_o=5mA - 1.0A$			0.5	mA
Output Noise Voltage	$V_N$	$10Hz \leq f \leq 100kHz$		75		$\mu V$
Temperature coefficient of $V_o$	$\Delta V_o/\Delta T$	$I_o=5mA$		-1.5		$mV/^\circ C$
Ripple Rejection	RR	$V_I=15V - 25V$ , $f=120Hz$ , $T_j=25^\circ C$	55	72		dB
Peak Output Current	$I_{PK}$	$T_j=25^\circ C$		1.8		A
Short-Circuit Current	$I_{SC}$	$V_I=35V$ , $T_j=25^\circ C$		250		mA
Dropout Voltage	$V_d$	$T_j=25^\circ C$		2.0		V

# UTC LM78XX LINEAR INTEGRATED CIRCUIT

## UTC LM7815 ELECTRICAL CHARACTERISTICS

( $V_I=23V$ ,  $I_o=0.5A$ ,  $T_j=0^\circ C - 125^\circ C$ ,  $C_1=0.33\mu F$ ,  $C_o=0.1\mu F$ , unless otherwise specified)(Note 1)

PARAMETER	SYMBOL	TEST CONDITIONS	MIN	TYP	MAX	UNIT
Output Voltage	$V_o$	$T_j=25^\circ C$ , $I_o=5mA - 1.0A$	14.40	15.0	15.60	V
		$V_I=17.5V$ to $30V$ , $I_o=5mA - 1.0A$ , $PD<15W$	14.25		15.75	V
Load Regulation	$\Delta V_o$	$T_j=25^\circ C$ , $I_o=5mA - 1.5A$			150	mV
		$T_j=25^\circ C$ , $I_o=0.25A - 0.75A$			75	mV
Line regulation	$\Delta V_o$	$V_I=18.5V$ to $30V$ , $T_j=25^\circ C$			150	mV
		$V_I=17.7V$ to $30V$ , $T_j=25^\circ C$ , $I_o=1A$			150	mV
Quiescent Current	$I_q$	$T_j=25^\circ C$ , $I_o<1A$			8.0	mA
Quiescent Current Change	$\Delta I_q$	$V_I=17.5V$ to $30V$			1.0	mA
	$\Delta I_q$	$I_o=5mA - 1.0A$			0.5	mA
Output Noise Voltage	$V_N$	$10Hz \leq f \leq 100kHz$		90		$\mu V$
Temperature coefficient of $V_o$	$\Delta V_o/\Delta T$	$I_o=5mA$		-1.8		$mV/^\circ C$
Ripple Rejection	RR	$V_I=18.5V$ to $28.5V$ $f=120Hz$ , $T_j=25^\circ C$	54	70		dB
Peak Output Current	$I_{PK}$	$T_j=25^\circ C$		1.8		A
Short-Circuit Current	$I_{SC}$	$V_I=35V$ , $T_j=25^\circ C$		250		mA
Dropout Voltage	$V_d$	$T_j=25^\circ C$		2.0		V

## UTC LM7818 ELECTRICAL CHARACTERISTICS

( $V_I=27V$ ,  $I_o=0.5A$ ,  $T_j=0^\circ C - 125^\circ C$ ,  $C_1=0.33\mu F$ ,  $C_o=0.1\mu F$ , unless otherwise specified)(Note 1)

PARAMETER	SYMBOL	TEST CONDITIONS	MIN	TYP	MAX	UNIT
Output Voltage	$V_o$	$T_j=25^\circ C$ , $I_o=5mA - 1.0A$	17.28	18.0	18.72	V
		$V_I=21V$ to $33V$ , $I_o=5mA - 1.0A$	17.10		18.90	V
Load Regulation	$\Delta V_o$	$T_j=25^\circ C$ , $I_o=5mA - 1.5A$			180	mV
		$T_j=25^\circ C$ , $I_o=0.25A - 0.75A$			90	mV
Line regulation	$\Delta V_o$	$V_I=21V$ to $33V$ , $T_j=25^\circ C$			180	mV
		$V_I=21V$ to $33V$ , $T_j=25^\circ C$ , $I_o \leq 1A$ , $PD<15W$			180	mV
Quiescent Current	$I_q$	$T_j=25^\circ C$ , $I_o \leq 1A$			8.0	mA
Quiescent Current Change	$\Delta I_q$	$V_I=21.5V$ to $33V$			1.0	mA
	$\Delta I_q$	$I_o=5mA - 1.0A$			0.5	mA
Output Noise Voltage	$V_N$	$10Hz \leq f \leq 100kHz$		110		$\mu V$
Temperature coefficient of $V_o$	$\Delta V_o/\Delta T$	$I_o=5mA$		-2.2		$mV/^\circ C$
Ripple Rejection	RR	$V_I=22V - 32V$ , $f=120Hz$ , $T_j=25^\circ C$	53	69		dB
Peak Output Current	$I_{PK}$	$T_j=25^\circ C$		1.8		A
Short-Circuit Current	$I_{SC}$	$V_I=35V$ , $T_j=25^\circ C$		250		mA
Dropout Voltage	$V_d$	$T_j=25^\circ C$		2.0		V

# UTC LM78XX LINEAR INTEGRATED CIRCUIT

## UTC LM7824 ELECTRICAL CHARACTERISTICS

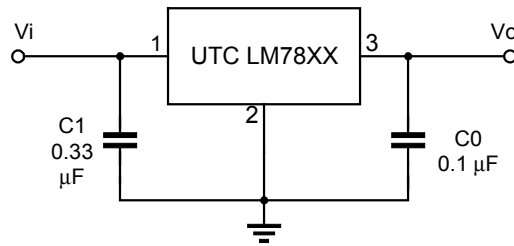
( $V_i=33V$ ,  $I_o=0.5A$ ,  $T_j=0^\circ C - 12^\circ C$ ,  $C_1=0.33\mu F$ ,  $C_o=0.1\mu F$ , unless otherwise specified)(Note 1)

PARAMETER	SYMBOL	TEST CONDITIONS	MIN	TYP	MAX	UNIT
Output Voltage	$V_o$	$T_j=25^\circ C$ , $I_o=5mA - 1.0A$	23.04	24.0	24.96	V
		$V_i=27V$ to $38V$ , $I_o=5mA - 1.0A$	22.80		25.20	V
Load Regulation	$\Delta V_o$	$T_j=25^\circ C$ , $I_o=5mA - 1.5A$			240	mV
		$T_j=25^\circ C$ , $I_o=0.25A - 0.75A$			120	mV
Line regulation	$\Delta V_o$	$V_i=27V$ to $38V$ , $T_j=25^\circ C$			240	mV
		$V_i=27V$ to $38V$ , $T_j=25^\circ C$ , $I_o=1A$			240	mV
Quiescent Current	$I_q$	$T_j=25^\circ C$ , $I_o<1A$			8.0	mA
Quiescent Current Change	$\Delta I_q$	$V_i=28V$ to $38V$			1.0	mA
	$\Delta I_q$	$I_o=5mA - 1.0A$			0.5	mA
Output Noise Voltage	$V_N$	$10Hz \leq f \leq 100kHz$		170		$\mu V$
Temperature coefficient of $V_o$	$\Delta V_o/\Delta T$	$I_o=5mA$		-2.8		$mV/^\circ C$
Ripple Rejection	RR	$V_i=28V - 38V$ , $f=120Hz$ , $T_j=25^\circ C$	50	66		dB
Peak Output Current	$I_{PK}$	$T_j=25^\circ C$		1.8		A
Short-Circuit Current	$I_{SC}$	$V_i=35V$ , $T_j=25^\circ C$		250		mA
Dropout Voltage	$V_d$	$T_j=25^\circ C$		2.0		V

Note 1: The Maximum steady state usable output current are dependent on input voltage, heat sinking, lead length of the package and copper pattern of PCB. The data above represents pulse test conditions with junction temperatures specified at the initiation of test.

Note 2: Power dissipation  $< 0.5W$

## APPLICATION CIRCUIT



Note 1: To specify an output voltage, substitute voltage value for "XX".

Note 2: Bypass capacitors are recommended for optimum stability and transient response and should be located as close as possible to the regulators.

This datasheet has been download from:

[www.datasheetcatalog.com](http://www.datasheetcatalog.com)

Datasheets for electronics components.