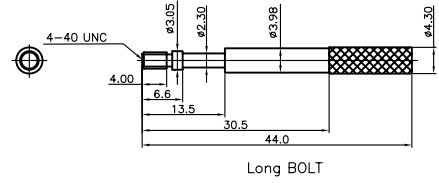
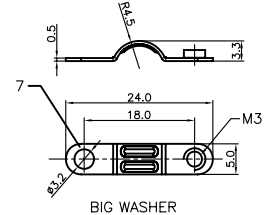
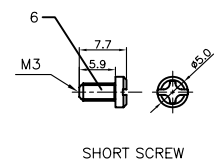
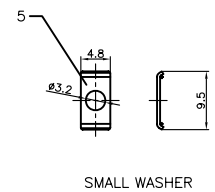
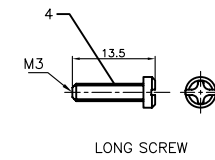
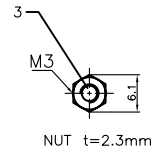
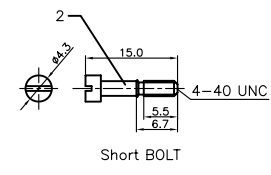
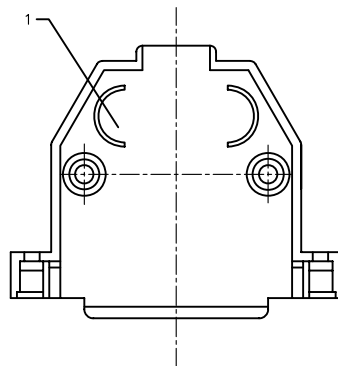
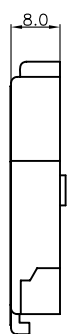
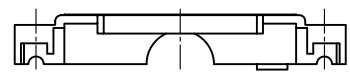
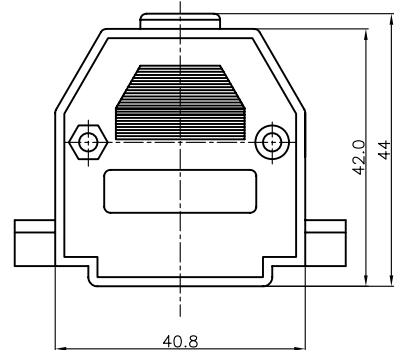
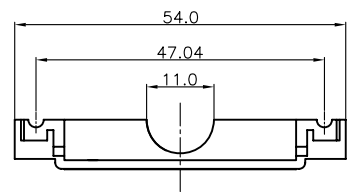


REV.	DESCRIPTION	DRAWN	CHECKED	APPROVED

BOM LIST			
ITEM	PART NAME	Q'ty	NOTES
1	PLASTIC HOOD	2	ABS
2	BOLT	2	#4-40
3	NUT	2	M3
4	LONG SCREW	2	M3
5	SMALL WASHER	2	
6	SHORT SCREW	2	M3
7	BIG WASHER	2	M3

NOTES:  
 1. Hardwares are all Nickel plated.  
 2. PART NUMBER CODE:  
 DS1045 - 25 X X X X X

- Bolt type  
L: Long  
S: Short
- Packing type  
1: Mix packing  
2: Separation packing
- Cover Color  
A: Gray  
B: Black
- Cover Material  
P: Plastic(ABS)
- Position  
25: 25pin



GENERAL TOLERANCE		ANGLE TOLERANCE		PROJECTION	TITLE
X.	±0.60	X.	±5°	mm	D-SUB 25pin Cover
.X	±0.38	.X	±3°	A4	
.XX	±0.25	.XX	±2°	SERIES	DS1045 SERIES
DRAWING TYPE				COSTOMER	
SCALE				1:1	SHEET 1 OF 1
DRAWING NO.				C-DS1045-25XXXX	

UNITS	mm
SHEET SIZE	A4
DP-25C	