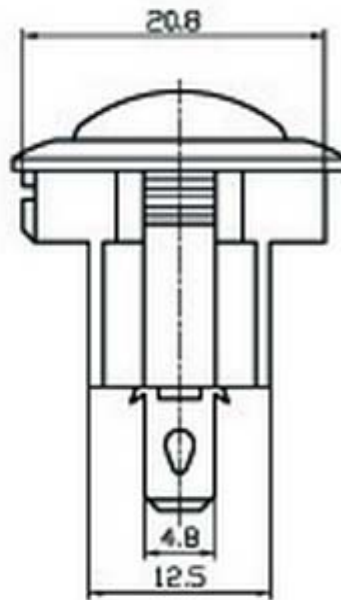
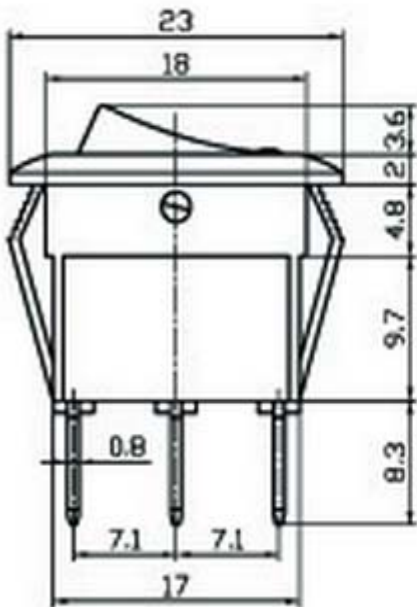


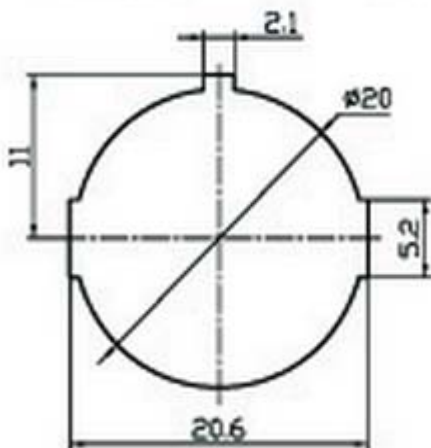


1. Rating: 3A 125VAC; 1A 250VAC
2. Contact Resistance: 20mΩ max
3. Insulation Resistance: 500VDC 100mΩ min
4. Dielectric Strength: 1000VAC, 1Minute
5. Operating Temperature: -55°C - +85°C
6. Neon lamp inside
7. Electrical Life: 50,000 Cycles

**IRS-101E-8C/D on-off черный**



(Mounting)



(Circuitry)

